

Sixnet SLX-3ES/EG

The Industrial Ethernet media converter series offers fast performance of SLX-3EG/ES for real-time operations to support industrial networking applications. Thanks to their rugged housing, they are ideal for the use in harsh industrial environments. They have an enormous operating temperature range of -40 to +85 °C. The SLX-3EG features 2 Gigabit Ethernet ports and an optional SFP Gigabit port. The SLX-3ES offers 2 fast Ethernet ports and a fast Ethernet fiber port. Thanks to numerous certificates and approvals, such as NEMA TS-2, Marine and Offshore DNV and ABS certifications and many former can they be used in various industries. The units feature a slim-style housing made of corrosion resistant aluminum for DIN-Rail or direct panel mounting. Due to Plug & Play functionality and high reliability, you can save costs for installation and maintenance.



Technical Details

Ethernet	
Type	Unmanaged
Ethernet isolation	1500 Vrms 1 minute
Flow Control	full or half duplex operation with flow control on all ports
MAC addresses	1024
Memory bandwidth	3.2 Gbit/s
Latency	<ul style="list-style-type: none"> • 5 µs for 100 Mbit/s • 16 µs for 10 Mbit/s
Other Functions	Store & Forward, Wire-Speed-Switching, Non-Blocking
RJ45 Copper Ports	
Ports	fully IEEE 802.3 compliant
Speed	Auto-detecting and duplex settings (full or half) (10/100/1000 Mbit/s)
MDI / MDIX	Auto-MDI/MDIX-crossover automatically supports either straight or crossed cables
Polarity	Auto-polarity for automatic correction of crossed TD and RD pairs
Ports	
Fiber Optic Ports	10/100 BaseFX
Fast Ethernet Port	10/100
Gigabit Ethernet Port	10/100/1000
Power supply	
Input voltage	10 ~ 30 V DC, dual-redundant
Protection	<ul style="list-style-type: none"> • Transient: 15.000 W peak • Spike: 5.000 W (10 times for 10 us)
Power consumption	3,0 W

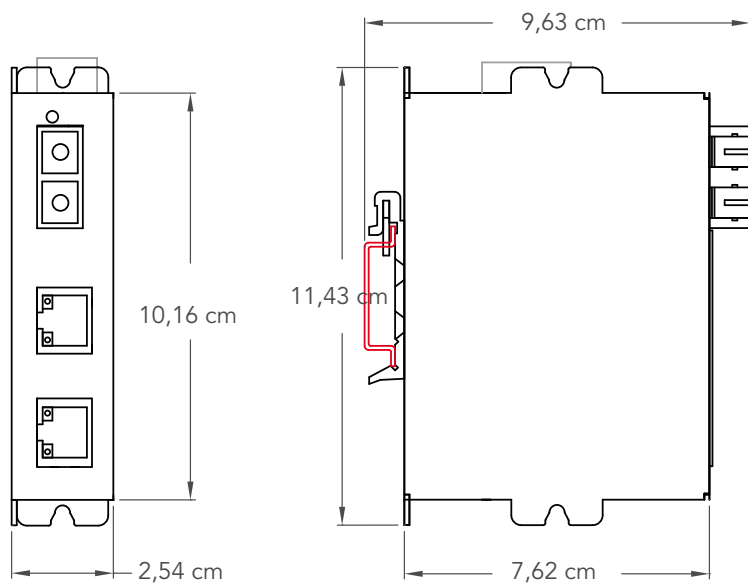
Technical Details

Environmental	
Operating temperature	-40 ~ +85 °C
Storage temperature	-40 ~ +85 °C
Cold startup	at -40 °C
Humidity	5 to 95% RH (non-condensing)
Shock and Vibration	IEC60068-2-6 und -27
Standards & Compliance	
Standards	<ul style="list-style-type: none"> • SLX-3ES: IEEE 802.3, 802.3u, 802.3x, 802.1D/w, 802.1p and 802.1Q • SLX-3EG: IEEE 802.3, 802.3u, 802.3x
Electrical safety	UL508/CSA C22.2/14; EN61010-1, CE
Traffic control systems	NEMA TS-2
EMC	FCC part 15, ICES-003, EN610006-2/4, CE
MTBF	> 2MM hours GB @ 40°C per MIL-HNDBK-217F2
Hazardous locations	UL1604 / CSA22.2/213 (Class I, Division 2); EN60079-15 (Zone 2, Category 3), CE (ATEX)
Maritim	Marine/maritime/offshore rated per ABS
Others	RoHs and WEEE compliant
Mechanical	
Housing	Slim-Style
Material	Corrosion-resistant aluminum
Mounting	DIN-rail or direct-to-panel
Protectionclass	IP 40
Weight	170 g
Dimensions	76,2 x 25,4 x 114,3 mm
Warranty	
Warranty	5 years on design and manufacturing defects

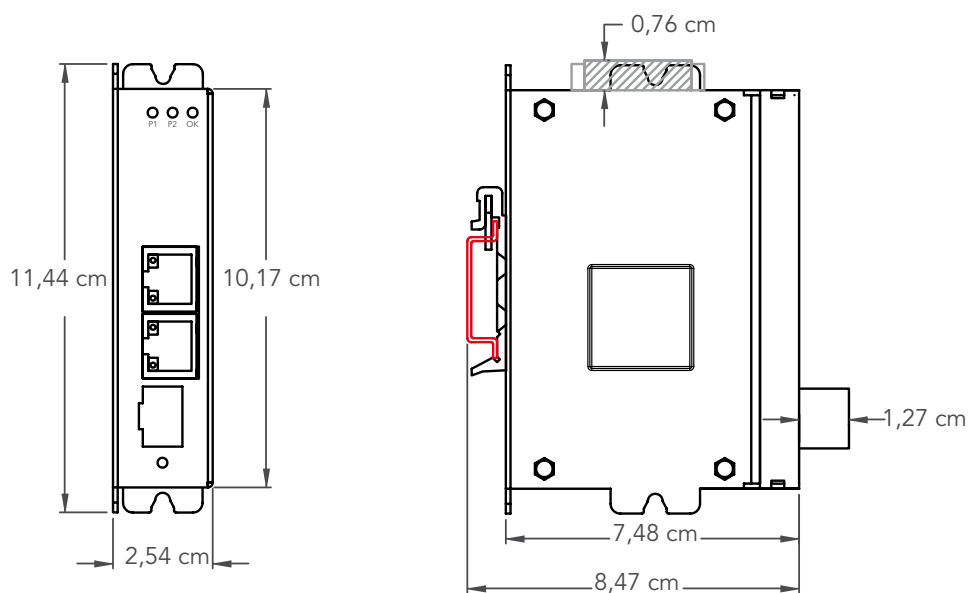
Comparison chart Standard Industrial Ethernet Switches

	Ports (all)	10 / 100 Ethernet	100 Fiber	Gigabit Ethernet	Gigabit SFP	Type (Fiber)	Connection (Fiber)	Distance (Fiber)
SLX-3ES-2SC	3	2	1	-	-	Multimode	SC	4 km
SLX-3ES-2ST	3	2	1	-	-	Multimode	ST	4 km
SLX-3ES-3SC	3	2	1	-	-	Singlemode	SC	20+ km
SLX-3ES-3ST	3	2	1	-	-	Singlemode	ST	20+ km
SLX-3ES-3SCL	3	2	1	-	-	Singlemode	SC	40+ km
SLX-3ES-3STL	3	2	1	-	-	Singlemode	ST	40+ km
SLX-3EG-1SFP	3	-	-	2	1	-	-	-

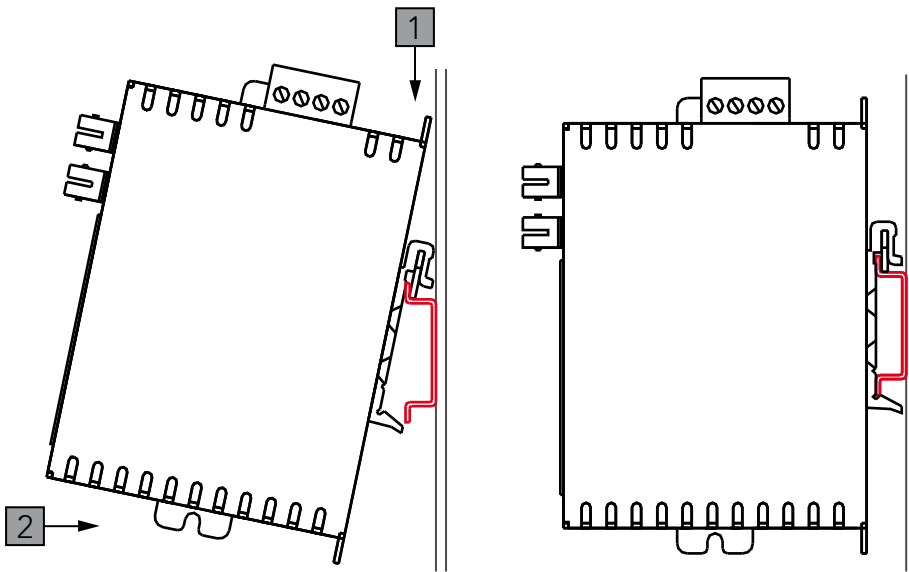
Dimensions (cm) SLX 3ES-2/3



Dimensions (cm) SLX 3EG-1



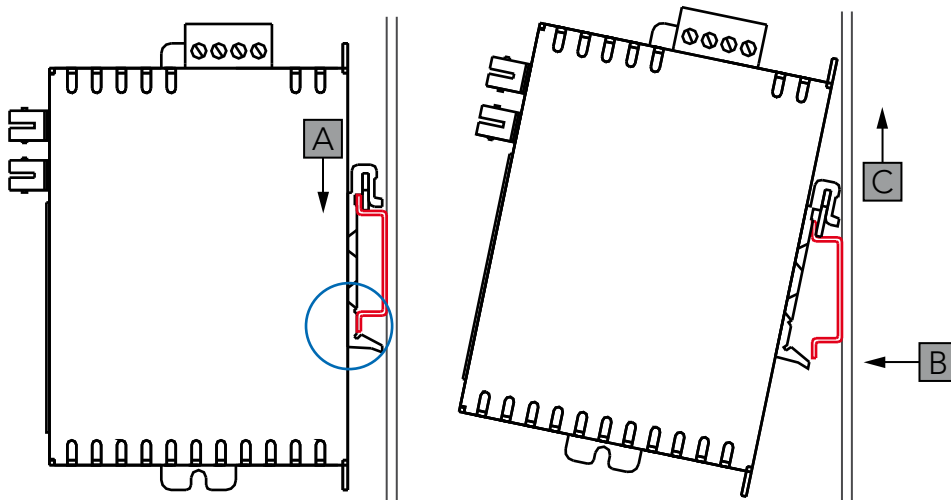
Mounting



Recommended DIN rail mounting steps:

1. Hook the top back of the DIN rail clip on the unit over the din rail.
2. Push the bottom of the unit towards the DIN rail until it snaps into place.

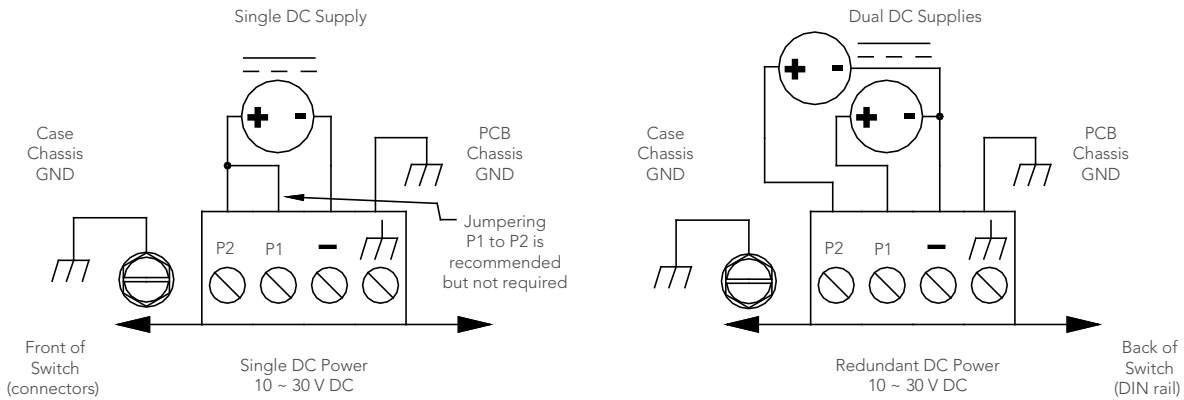
Removal



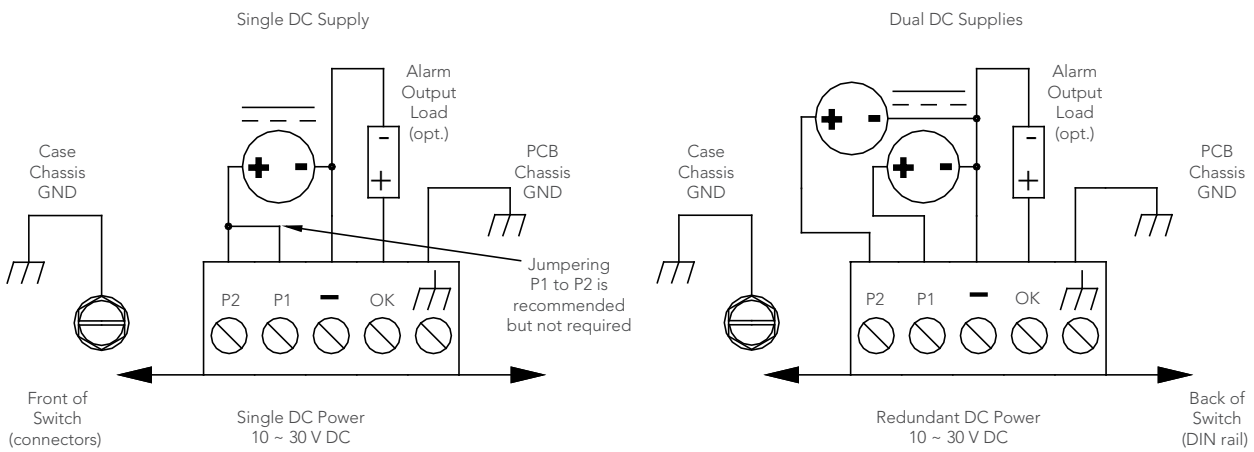
Recommended DIN rail removal steps:

1. Push the whole unit down to free the bottom of the DIN rail clip. See blue circle area.
2. Pull the bottom of the unit away from the DIN rail.
3. Unhook the top of unit and remove it from the DIN rail.

Connection SLX-3ES-2/3



Connection SLX-3EG-1



SFP-Modules

SFP stands for Small Form-factor Pluggable. These are small, standardized modules for network connections. The transceivers are available in both optical as well as electric versions. The replacement of the modules is quick and simple, so efficient Ethernet switches can be adapted for new tasks.



Product	Speed	Type	Distance	Port Compatibility
GMFIBER-SFP-500	Gigabit	Multimode	550 m	Ports 25 and 26
GMFIBER-SFP-2K	Gigabit	Multimode	2 km	Ports 25 and 26
GSFIBER-SFP-10K	Gigabit	Singlemode	10 km	Ports 25 and 26
GSFIBER-SFP-30K	Gigabit	Singlemode	30 km	Ports 25 and 26
GSFIBER-SFP-50K	Gigabit	Singlemode	50 km	Ports 25 and 26
GSFIBER-SFP-80K	Gigabit	Singlemode	80 km	Ports 25 and 26

WELOTEC

Zum Hagenbach 7 • D-48366 Laer
 www.welotec.com • info@welotec.com
 Fon: +49 (0)2554/9130-00 • Fax: +49 (0)2554/9130-10