

PCTEL® WiFi Low-Profile Antenna - WLP Series

WLP SERIES



Low-Profile WiFi Antenna for 2.4 and 5 GHz WiFi applications without groundplane

The WLP2458NGP antenna is a low-profile antenna from PCTEL® for WIFI applications that does not require a ground plane and can therefore be used also on plastic housings. Its low height and robust design ensure reliable operation even in demanding environments. The antenna can be mounted and used both indoors and outdoors. In addition to its mechanical properties, the WLP2458NGP also has excellent reception characteristics in both WIFI frequency ranges, thus ensuring secure connectivity of your WIFI connections. The basic version of this antenna has a TNC(f) connector, and antenna cables can be ordered separately from the variant table. For other cable lengths or connectors please use our cable configurator!

- Low-Profile WiFi antenna for 2.4 and 5 GHz applications without groundplane
- Low-profile design for extremely stable mechanical properties
- No groundplane required, mounting also on plastic housings
- Excellent reception and efficiency characteristics for stable WiFi connections

| MODELLE | DESCRIPTION | ANTENNA CONNECTOR | ANTENNA CABLE |
|------------|--|-------------------|---|
| WLP2458NGP | Low-profile WiFi antenna for 2.4 and 5 GHz WIFI networks | TNC (f) | See accessories table or cable configurator |

PCTEL® WiFi Low-Profile Antenna - WLP Series

PRODUCT FEATURES



WiFi support

Supports 2.4 GHz and 5 GHz WiFi.



Omnidirectional antenna

Omnidirectional radiation characteristic ideal for most applications.



Frequency range

This antenna offers 2.4-2.5 and 4.9-5.9 GHz frequency range.



Antenna gain

3 dBi antenna gain.



IP67 protection

Suitable for outdoor use with IP67 protection against water and dust.

PCTEL® WiFi Low-Profile Antenna - WLP Series

SPECIFICATIONS

| WLP2458NGP | |
|-------------------|--|
| Antenna elements | 1 x WIFI (2.4 and 5 GHz) |
| Frequency range | 2.4 - 2.5 GHz / 4.9 - 5.9 GHz |
| Antenna gain | 3 dBi |
| Antenna cable | Flexible, see table or cable configurator |
| Antenna connector | Basic variant TNC(f), flexible, see table or cable configurator! |
| Compatible with | WIFI (2.4 and 5 GHz), Bluetooth |

| GENERAL INFORMATION | |
|-----------------------------|-----------------------------------|
| Antenna type | WIFI-Antenna |
| Construction type | Low-Profile Antenna |
| Application area | Indoor/Outdoor |
| Radiation characteristic | Omnidirectional |
| Integrated Antenna elements | 1 x WIFI (2.4 and 5 GHz) |
| Groundplane needed? | No |
| WIFI Frequencies | 2.4 / 5 GHz |
| Gain (typical) | 3 dBi (with Groundplane: 3.5 dBi) |
| VSWR | <2.0:1 |

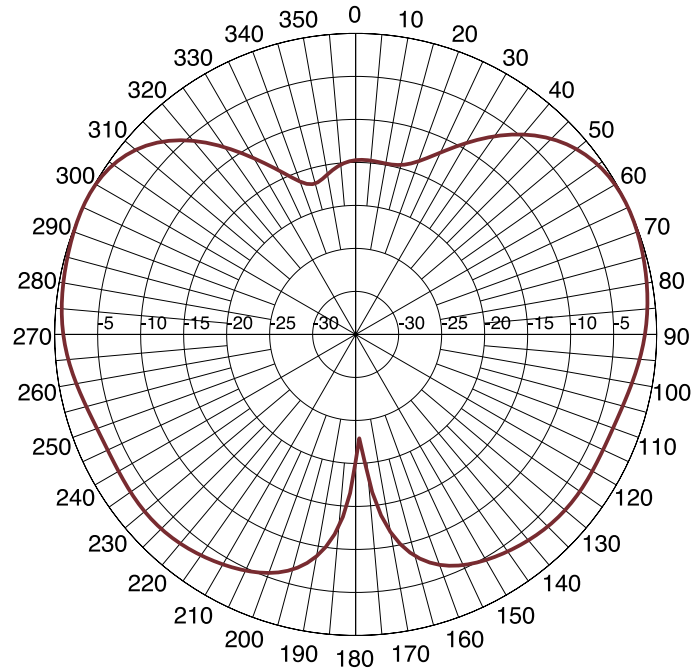
| ELECTRICAL CHARACTERISTICS | |
|----------------------------|------------------|
| Transmission power (max) | 10 W |
| Impedance | 50 Ohm |
| Polarization | Vertical, linear |

| PHYSICAL CHARACTERISTICS | |
|-----------------------------|--------------------------------|
| Material | White GE Lexan® EXL9330 |
| Dimensions | 60 x 44 mm (Diameter x height) |
| Protection class | IP67 |
| Mounting options | Screw mounting |
| Operating temperature range | -40 - +85°C |

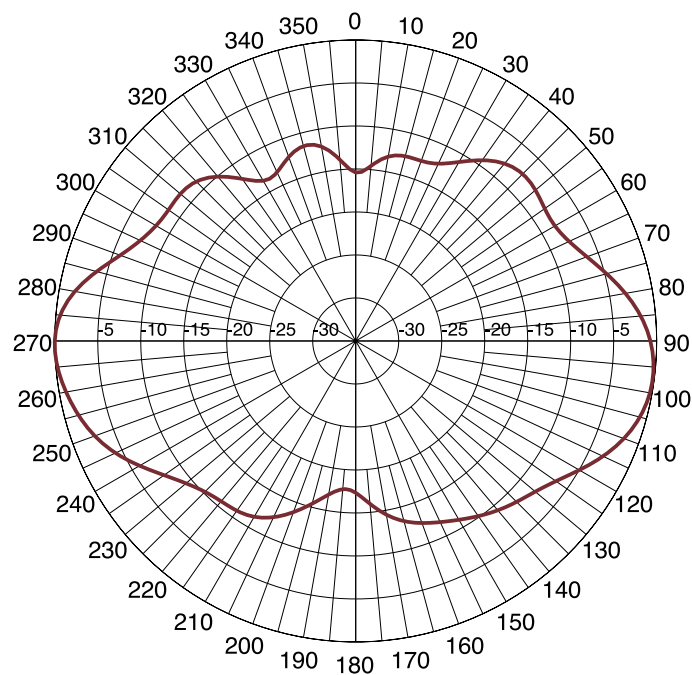
PCTEL® WiFi Low-Profile Antenna - WLP Series

RADIATION PATTERN

Elevation Pattern at 2.5GHz

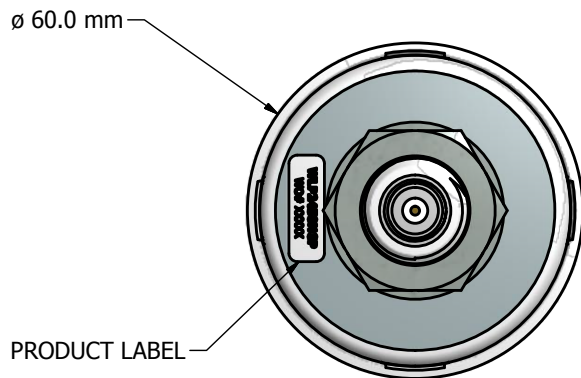
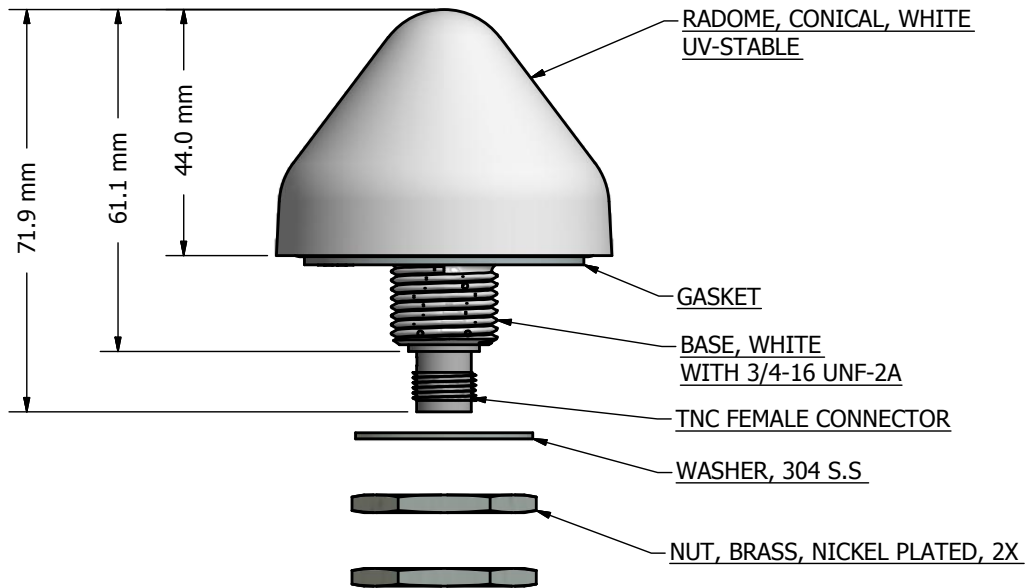


Elevation Pattern at 5.3GHz



PCTEL® WiFi Low-Profile Antenna - WLP Series

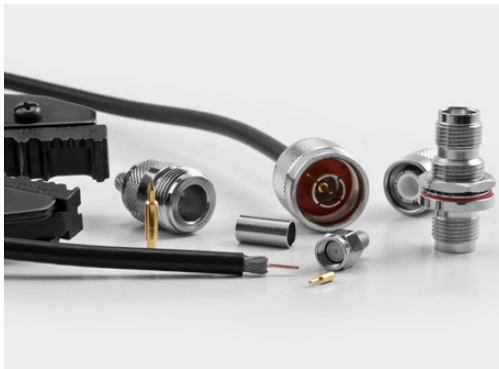
PRODUCT DIMENSIONS (MM)



PCTEL® WiFi Low-Profile Antenna - WLP Series

ACCESSORIES ANTENNA CABLE

| ANTENNA CABLE TYPE / LENGTH | ANTENNAS-CONNECTION LEFT | ANTENNAS-CONNECTION RIGHT | ORDER CODE |
|-----------------------------|--------------------------|---------------------------|---------------------|
| RF195 / 50 cm | TNC (m) | SMA (m) | TOM00-1950050-S0M00 |
| RF195 / 100 cm | TNC (m) | SMA (m) | TOM00-1950100-S0M00 |
| RF195 / 300 cm | TNC (m) | SMA (m) | TOM00-1950300-S0M00 |
| RF195 / 500 cm | TNC (m) | SMA (m) | TOM00-1950500-S0M00 |
| RF195 / 1000 cm | TNC (m) | SMA (m) | TOM00-1951000-S0M00 |



Antenna cable - Configurator

With the Welotec cable configurator it is easy, to find the right coax cable for your needs.

Choose your desired cable from a large selection on cable types and combine it with the suitable connection.

Available connections:

SMA, RP-SMA, TNC, RP-TNC, BNC, N

Available cable types:

RG174, RF195, Aircell 5, RG58, RG223, H155 PE, Aircell 7