

PCTEL® WiFi Plug-on Antenna - MPAMB Series

MPAMB SERIES



WiFi Plug-on Antenna for 2.4 and 5 GHz applications

The MPAMB24495804 antenna is a plug-in antenna from PCTEL® for WiFi applications. In addition to easy installation, this antenna also provides the necessary performance. The ground-plane independent design makes installation even easier. The robust polycarbonate housing can withstand harsher environmental conditions, and the 90° bend and 180° swivel capability ensure easy alignment of the antenna regardless of the terminal device. The antenna is equipped with a SMAR(m) connector; a version with TNCR(m) is also available. available and listed in the table below.

- WiFi Plug-on Antenna for 2.4 GHz and 5 GHz applications
- Simple mounting directly on the end device
- Groundplane independent design
- Covers all WLAN frequencies
- Easy antenna alignment due to 90° kink and 180° swivel joint

MODELS	DESCRIPTION	ANTENNA CONNECTOR
MPAMB24495804	Plug-on antenna for WiFi frequencies with reverse polarity TNC (m) connector	TNCR (m)
MPAMB24495804-RPSMA	Plug-on antenna for WiFi frequencies with reverse polarity SMA (m) connector	SMAR (m)

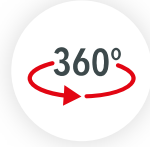
PCTEL® WiFi Plug-on Antenna - MPAMB Series

PRODUCT FEATURES



WiFi support

Supports 2.4 GHz and 5 GHz WiFi.



Omnidirectional antenna

Omnidirectional radiation characteristic ideal for most applications.



Frequency range

This antenna offers 2.4-2.5 and 4.9-5.9 GHz frequency range.



Antenna gain

2.14 dBi / 4 dBi antenna gain.

PCTEL® WiFi Plug-on Antenna - MPAMB Series

SPECIFICATIONS

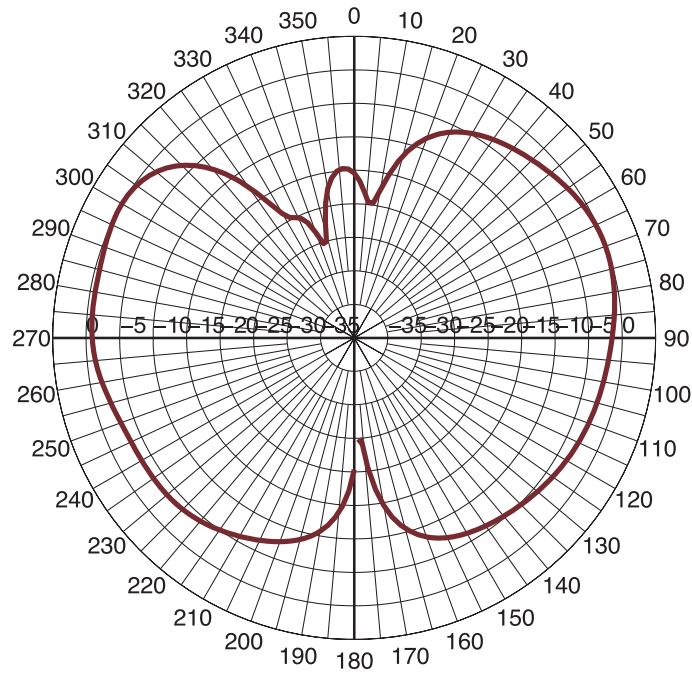
MODELS	MPAMB24495804-RPSMA	MPAMB24495804
Antenna elements	1 x WIFI (2.4 and 5 GHz)	1 x WIFI (2.4 and 5 GHz)
Frequency range	2.4 - 2.5 GHz, 4.9 - 5.9 GHz	2.4 - 2.5 GHz, 4.9 - 5.9 GHz
Antenna gain	2.14 dBi/4 dBi	2.14 dBi/4 dBi
Antenna cable	-	-
Antenna connector	SMAR (m)	TNCR (m)
Compatible with	WIFI (2.4 and 5 GHz), Bluetooth	WIFI (2.4 and 5 GHz), Bluetooth

GENERAL INFORMATION	
Antenna type	WIFI antenna
Construction type	Rod antenna
Application area	Indoor
Radiation characteristic	Omnidirectional
Integrated Antenna elements	1 x WIFI (2.4 and 5 GHz)
Groundplane needed?	No
WIFI Frequencies	2.4 / 5 GHz
Gain (typical)	2.14/4 dBi
VSWR	<2.5:1
ELECTRICAL CHARACTERISTICS	
Transmission power (max)	10 W
Impedance	50 Ohm
Polarization	Vertical, linear
PHYSICAL CHARACTERISTICS	
Material	ABS, UV-stable
Dimensions	MPAMB24495804-RPSMA: 152 x 24 mm (L x W) MPAMB24495804: 154 x 24 mm (L x W)
Mounting options	Plug-on mounting
Operating temperature range	-40 - +75°C

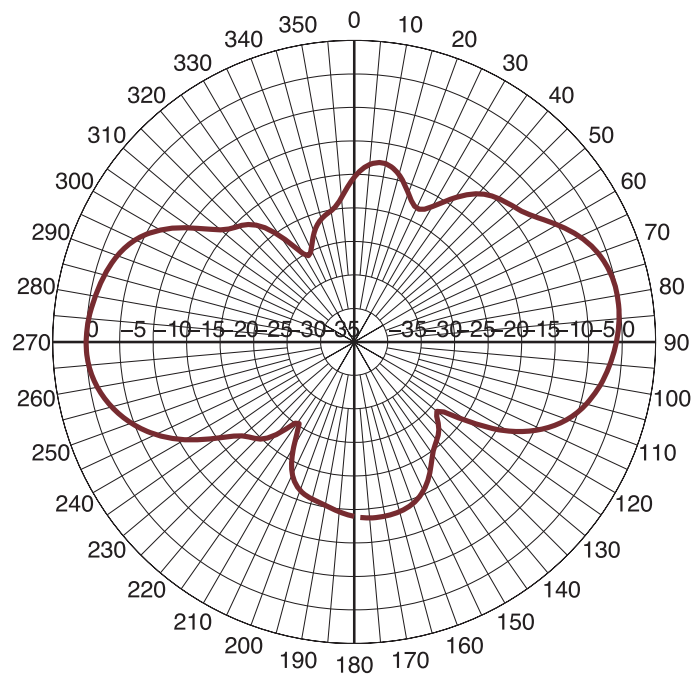
PCTEL® WiFi Plug-on Antenna - MPAMB Series

RADIATION PATTERN

Elevation Pattern @ 2.4 GHz

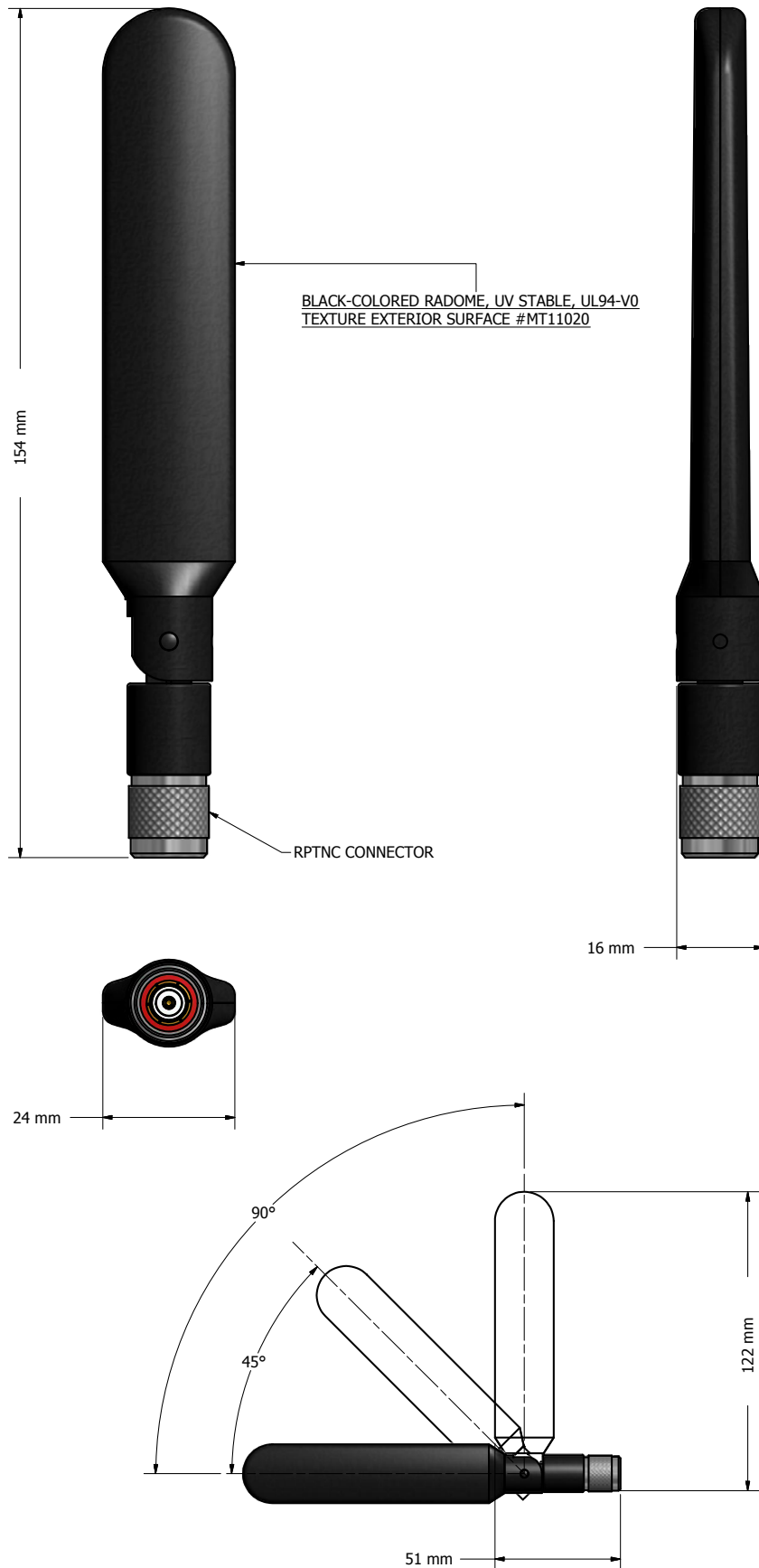


Elevation Pattern @ 5 GHz



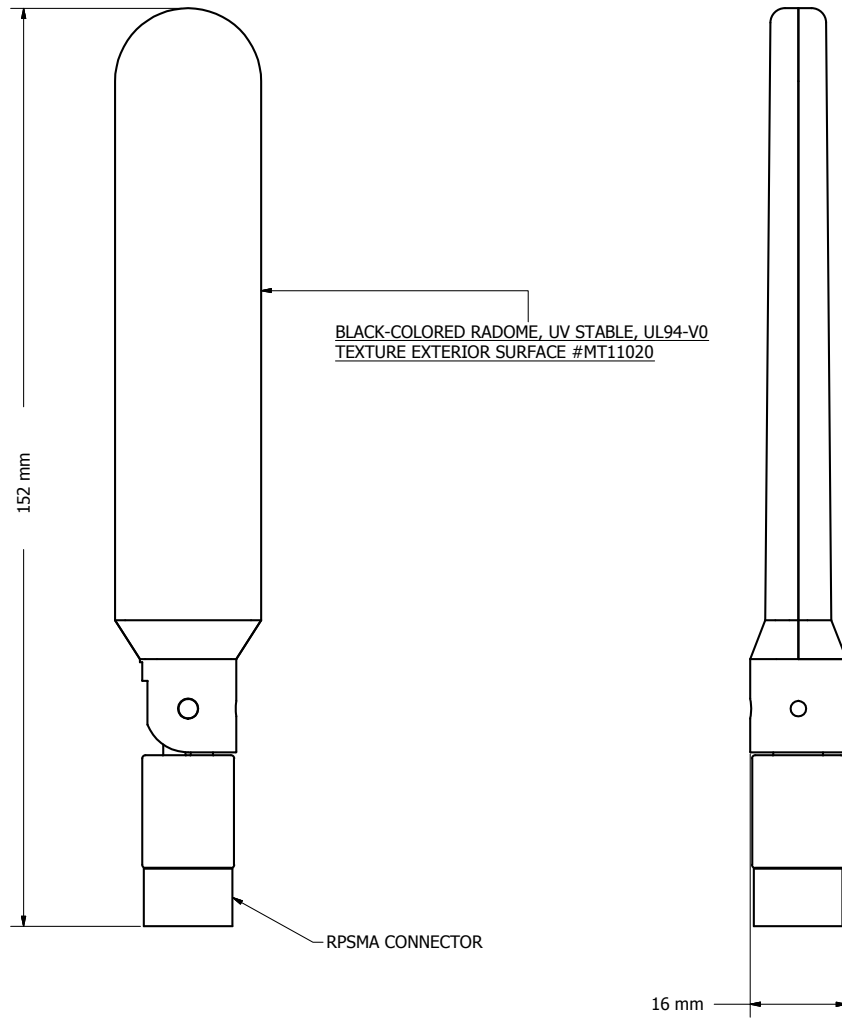
PCTEL® WiFi Plug-on Antenna - MPAMB Series

PRODUCT DIMENSIONS (MM) - MPAMB24495804



PCTEL® WiFi Plug-on Antenna - MPAMB Series

PRODUCT DIMENSIONS (MM) - MPAMB24495804-RPSMA



PCTEL® WiFi Plug-on Antenna - MPAMB Series

PRODUCT IMAGES



MPAMB24495804-RPSMA

MPAMB24495804

ACCESSORIES ANTENNA CABLE



Antenna cable - Configurator

With the Welotec cable configurator it is easy, to find the right coax cable for your needs. Choose your desired cable from a large selection on cable types and combine it with the suitable connection.

Available connections:

SMA, RP-SMA, TNC, RP-TNC, BNC, N

Available cable types:

RG174, RF195, Aircell 5, RG58, RG223, H155 PE, Aircell 7