

# UHF/VHF-Antennas - CA Series

CA450GP+-N SERIES



## UHF-Antenna for the frequency range from 446 - 454 MHz

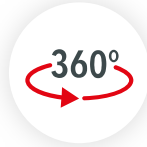
The CA450GP+-N is an omnidirectional antenna for the frequency range between 446 and 454 MHz with a particularly high antenna gain of 6 dBi. With the listed accessories, this antenna can be mounted on Wall surfaces, on masts, on metallic surfaces via magnetic base mountings or mounted in an enclosure. This makes the CA450GP+-N ideal for any application where a high performance omnidirectional radiator in the frequency range from 446 - 454 MHz is required. The antenna has a standard N(f) Connector that provides mounting options via accessories. These are then combined with antenna cables out of our cable configurator.

- UHF-Antenna for the frequency range from 446 - 454 MHz
- High-performance UHF omnidirectional antenna with 6 dBi antenna gain
- High antenna performance in the specified frequency range
- Various mounting options for wall, magnetic base, pole or screw mounting

MODELLE	DESCRIPTION	ANTENNA CONNECTOR	ANTENNA CABLE
CA450GP+-N	High-performance UHF omni-directional antenna for the frequency range of 446 - 454 MHz	N (f)	See accessories table or cable configurator

# UHF/VHF-Antennas - CA Series

## PRODUCT FEATURES



### Omnidirectional antenna

Omnidirectional radiation characteristic ideal for most applications.



### Frequency range

This antenna offers 446 - 454 MHz frequency range.



### Antenna gain

6 dBi antenna gain.



### IP67 protection

Suitable for outdoor use with IP67 protection against water and dust.

# UHF/VHF-Antennas - CA Series

## SPECIFICATIONS

CA450GP+-N	
Antenna elements	1 x UHF
Frequency range	446 - 454 MHz
Antenna gain	6 dBi
Antenna cable	Flexible, see table or cable configurator!
Antenna connector	Basic variant N(F), Flexible, see table or cable configurator!
Compatible with	UHF-Frequency

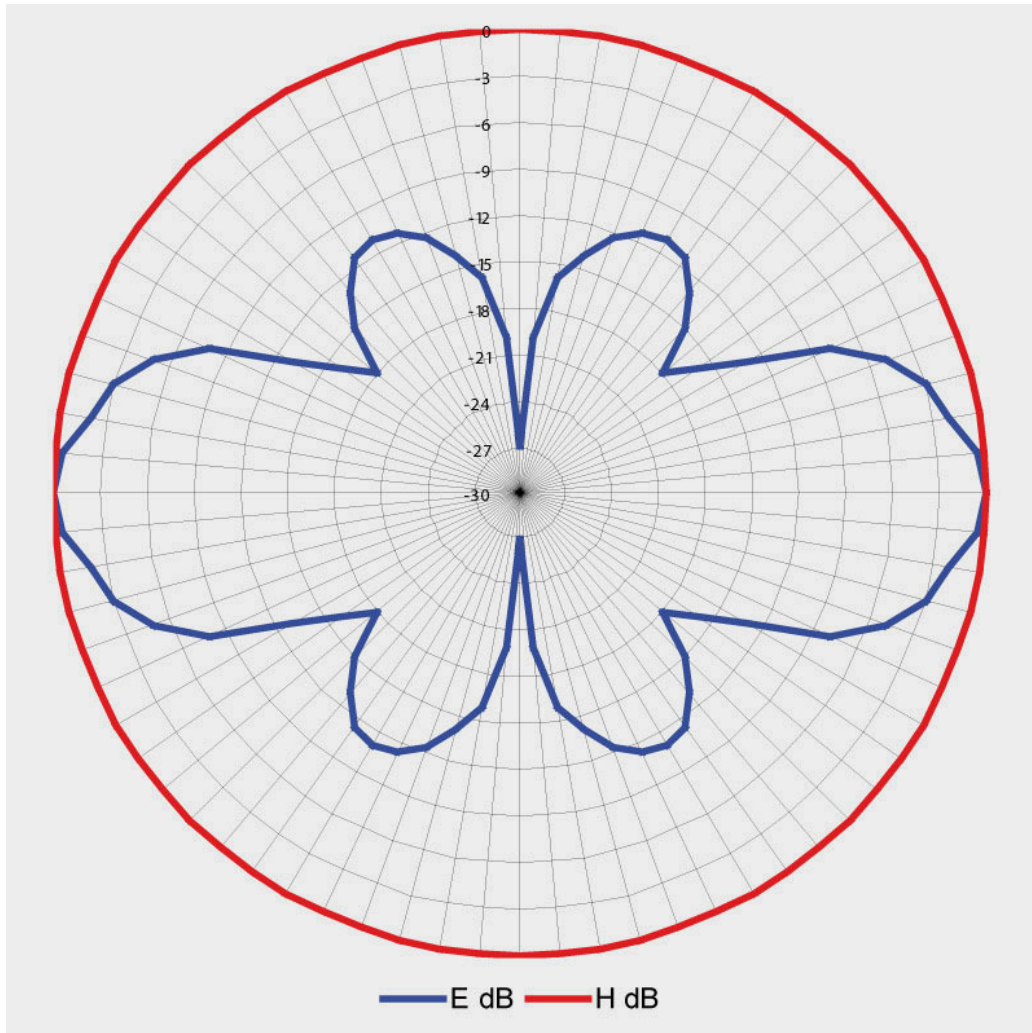
GENERAL INFORMATION	
Antenna type	UHF/VHF-Antenna
Construction type	Rod antenna
Application area	Indoor/Outdoor
Radiation characteristic	Omnidirectional
Integrated Antenna elements	1 x UHF
Groundplane needed?	Yes
Frequency range	446 - 454 MHz
Gain (typical)	6 dBi
VSWR	<1.5:1

ELECTRICAL CHARACTERISTICS	
Impedance	50 Ohm
Polarization	Vertikal

PHYSICAL CHARACTERISTICS	
Material	GFK (UV-resistant) with PU foam filling
Dimensions	250 mm height
Protection class	IP67
Mounting options	Screw mounting, Wall mounting, Magnetic foot mounting, Pole mounting
Operating temperature range	-40 - +80°C

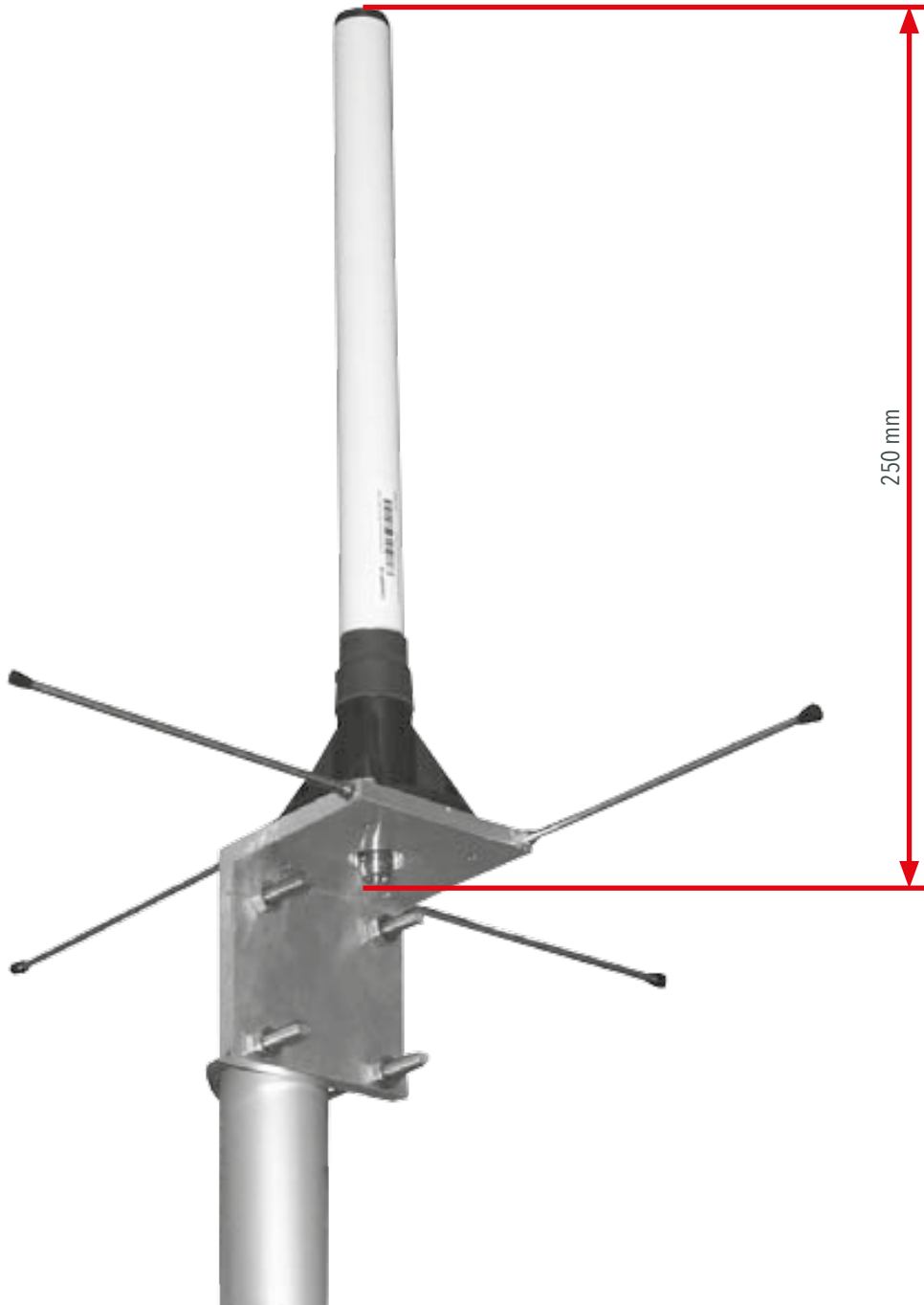
# UHF/VHF-Antennas - CA Series

RADIATION PATTERN



# UHF/VHF-Antennas - CA Series

PRODUCT DIMENSIONS (MM)



## UHF/VHF-Antennas - CA Series

ACCESSORIES ANTENNA CABLE



### Antenna cable - Configurator

With the Welotec cable configurator it is easy, to find the right coax cable for your needs.

Choose your desired cable from a large selection on cable types and combine it with the suitable connection.

### Available connections:

SMA, RP-SMA, TNC, RP-TNC, BNC, N

### Available cable types:

RG174, RF195, Aircell 5, RG58, RG223, H155 PE, Aircell 7

## ACCESSORIES MOUNTING

DESCRIPTION	CHARACTERISTICS	ORDER CODE
Wall mounting bracket for mounting the antenna on vertical (outside) walls	Dimensions 60x80x50 mm, stainless steel bracket with holder for N(f) plug	<b>WA-Mount-NF-1</b>
Mast mounting bracket for mounting the antenna on steel tubes	Aluminium L-bracket for parallel or vertical mounting on pipes or masts. Suitable for pipes and masts with 38 - 60 mm outer diameter. Hole with 15.8 mm diameter for connectors	<b>BAM1009</b>
Magnetic base mounting bracket for vertical, metallic surfaces	Dimensions 60x80x50 mm, stainless steel bracket with holder for N(f) plug. Strong magnet included in the set	<b>WA-Mount-NF-3</b>



### WA-Mount-NF-1 Antenna Mount

Stainless steel wall mounting bracket with 16.5 mm mounting hole for antennas. The holes for wall mounting can also be used for cable ties.



### BAM1009 Antenna Mount

Aluminium L-bracket for horizontal or vertical mounting on pipes or masts. Suitable for pipes and masts with 38 - 60 mm outer diameter. Hole with 15.8 mm diameter for mounting with N(f) connectors.



### WA-Mount-NF-3 Antenna Mount

Stainless steel wall mounting bracket with 16.5 mm mounting hole for antennas. Mounting on metallic surfaces via enclosed magnets. The holes for wall mounting can also be used for cable ties.